



DEEP GRILL PAN PORTABLE GAS STOVE

FOR OUTDOOR USE ONLY.
NOT FOR HOUSEHOLD USE.
CSA/ANSI Z21.72 • CSA 11.2 (2019) Camp Stove

Approved by CSA



Instruction Manual

■ Read and comply with all instructions and warnings in this manual before using this Product. Keep these instructions for future reference.

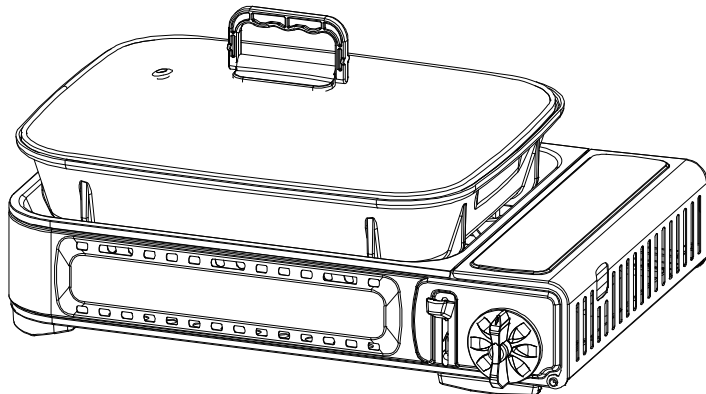
⚠ DANGER



CARBON MONOXIDE HAZARD

This appliance can produce carbon monoxide which has no odor. Using it in an enclosed space can kill you. Never use this appliance in an enclosed space such as a camper, tent, car or home.

■ Model MS-8 mini



⚠ WARNING

THE OPENINGS AT THE BASE OF THE BURNER PROVIDE AIR FOR COMBUSTION, THEY SHOULD NEVER BE OBSTRUCTED. IF THE FLAME BECOMES SIGNIFICANTLY ORANGE CHECK THESE OPENINGS FOR A BLOCKAGE. IF THE APPLIANCE CANNOT BE ADJUSTED TO PERFORM CORRECTLY IT SHOULD NOT BE USED UNTIL SERVICED OR REPAIRED.

WARNING: IMPROPER INSTALLATION, USE, ADJUSTMENT, ALTERATION, SERVICE, OR MAINTENANCE CAN CAUSE INJURY OR PROPERTY DAMAGE. REFER TO THIS MANUAL. FOR ASSISTANCE OR ADDITIONAL INFORMATION CONSULT A QUALIFIED INSTALLER, SERVICE AGENCY OR GAS SUPPLIER.

IMPORTED BY: CUISINE TALENT ENTERPRISES LTD.

⚠ WARNING

FIRE OR EXPLOSION HAZARD

If you smell gas:

1. Do not attempt to light appliance.
 2. Make sure appliance is in the off position.
 3. Extinguish any nearby flame(s).
 4. Shut off cylinder fuel supply valve if so equipped, or if equipped with a disposable fuel cylinder, disconnect cylinder.
 5. Leave the area immediately.
 6. Allow gas to dissipate 5 minutes.
 7. If gas smell has dissipated from the area, of the appliance, and fuel supply, follow gas connection procedures.
 8. If you smell gas again, follow steps 1-6 and have appliance serviced.
- Failure to follow these instructions could result in fire or explosion, which could cause property damage, personal injury, or death.

FOR YOUR SAFETY

Do not store or use gasoline or other liquids with flammable vapor in the vicinity of this or any other appliance.

This stove is equipped for use with butane gas only. Do not attempt to operate this stove at temperatures below freezing (32 degrees F).

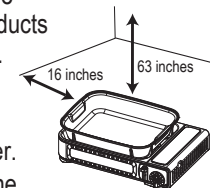
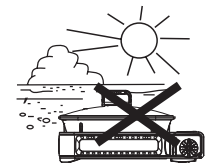
DANGER

Failure to comply with the precautions and instructions provided with these stoves can result in death, serious bodily injury and property loss or damage from hazards of fire, explosion, burn, asphyxiation, and / or carbon monoxide poisoning. Only persons who can understand and follow the instructions should use or service this stove.

If you need assistance or information such as an instruction manual or labels, contact you seller.

• EXPLOSION - FIRE HAZARD

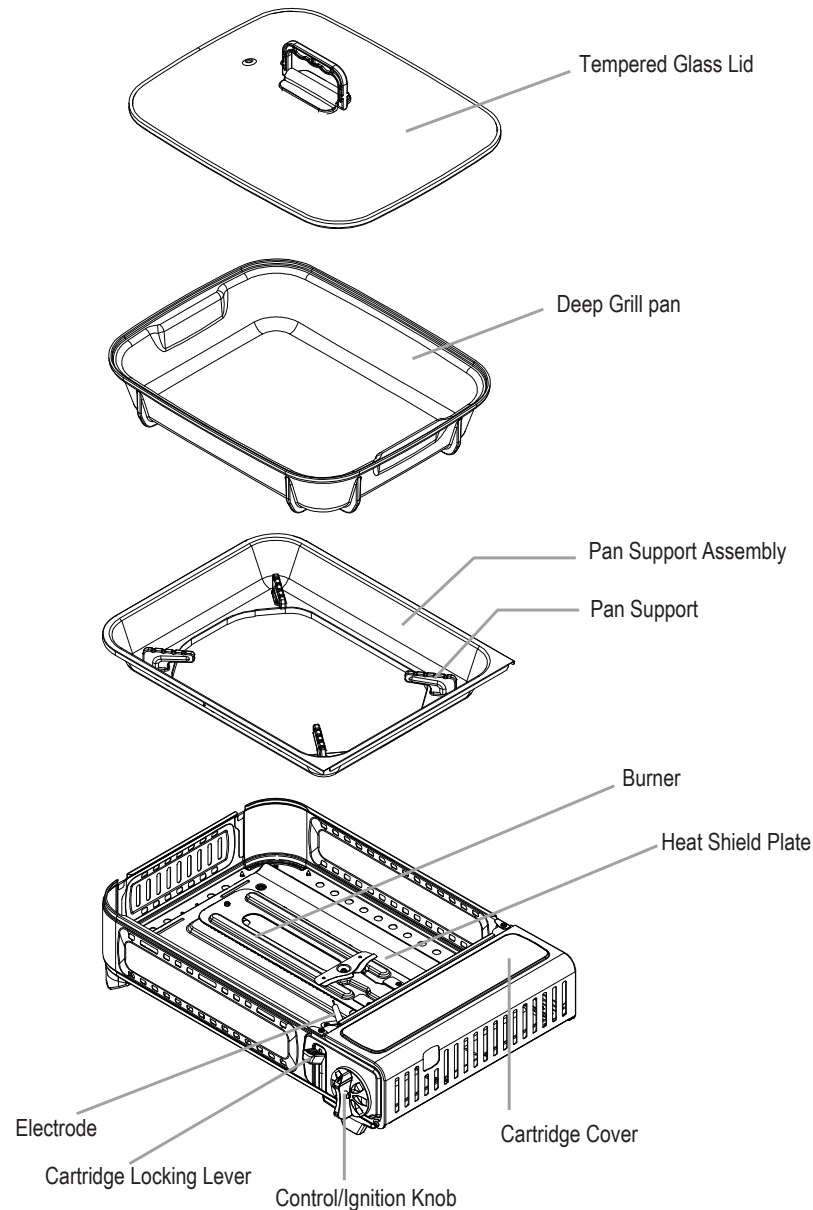
- NEVER store butane near high heat, open flames, pilot lights, direct sunlight, other ignition sources or where temperatures exceed 120 degrees F (49°C).
- NEVER install or remove butane canister while outdoor stove is lighted, near flame, pilot lights, other ignition sources or while outdoor stove is hot to touch.
- During operation, this product can be a source of ignition. NEVER use the stove in spaces that contain or may contain volatile or airborne combustibles, or products such as gasoline, solvents, paint thinner, dust particles or unknown chemicals. Minimum clearances from combustible materials: 16 inches from the sides & 63 inches from the top.



- Provide adequate clearances around air openings into the combustion chamber.
- Butane canisters must be stored outdoors, in a well ventilated space, out of the reach of children, and must not be stored in a building, garage, or any other enclosed area.

WARNING: Improper installation, use, adjustment, alteration, service, or maintenance can cause injury or property damage. Refer to this manual. For assistance or additional information consult a qualified installer, service agency or gas supplier.

NAME OF PARTS



• CARBON MONOXIDE HAZARD AND OXYGEN WARNINGS

CALIFORNIA PROPOSITION 65:

WARNING: This appliance and all combustion appliances produce carbon monoxide, a chemical known to the state of California to cause cancer, birth defects, or other reproductive harm.

WARNING: Provide ample ventilation when using this appliance. This appliance consumes oxygen. To avoid endangering your life, do not use this appliance in unventilated structures. Provide additional ventilation for any additional burning products or additional occupants.

Do not connect to a remote gas supply.

PRECAUTIONS FOR FUEL USE

The butane canisters that are used in our products are designed for vapor withdrawal only. This is done by lining up the notch in the collar of the can with the extension bar on the regulator. They must fit together or the can will not lock into place. The valve inside the canister is shaped like a sideways "L" so when the notch is lined up and locked in correctly, the "L" is always pointed upwards to draw only vapor from the canister.



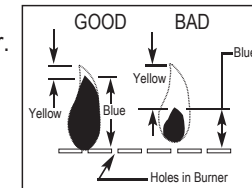
- No more than 48 LP-gas fuel canisters shall be stored in one building.
- The butane fuel container shall comply with DOT 2P or 2Q requirements and shall be listed to the Standard for Non-refillable (Disposable) Type Metal Container. Assemblies for Butane, UL 147B.
- Avoid any strong shock or impact to the fuel canister. Keep canisters upright for storage.

Remove canister from stove before storing.

- Do not dispose of empty gas canister into fire, risk of explosion may occur.
- Use only butane set up for vapor withdrawal.
- Not obstructing the flow of combustion and ventilation air.

MAINTENANCE AND CAUTIONS

- Never leave the stove unattended when hot or when in use.
- Grill pan has a non-stick coating. Wipe clean with soft cloth and mild dish detergent to prolong life of nonstick coating. Do not use abrasives.
- Keep out of reach of children at all times.
- Keep the stove area clear and free of combustible materials, gasoline and other flammable vapors and liquids.
- Do not obstruct the flow of ventilation and combustion air around the appliance.
- Do not modify the appliance.
- Use a soft cloth to clean greasy parts of the stove with soap and water.
- Keep the igniter and the burner gap free from debris for easy lighting.
- Clean stove frequently to avoid grease build up and as necessary.
- Burner flame should be blue with hint of yellow tip.
- A good flame should be blue with minimal yellow tip. Some yellow tips on flames are acceptable as long as no carbon or soot deposits appear.



BUTANE INFORMATION AND STORAGE

The stove has been certified for outdoor use as a camp stove.

The storage of the canister regulations are not the same for each use.

In a home or residence, the canister must be removed from the stove and the canister must be stored outdoors in a well ventilated area, out of the reach of children.

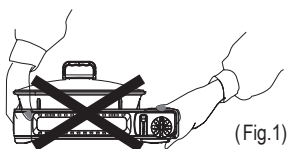
They shall not be stored in a building, garage or any other enclosed area.

The stove may be stored indoors but only if the canister is removed.

When the stove is not in use or in storage, always remove the fuel canister.

SAFETY PRECAUTIONS

- Do not carry the unit while it is burning. (Fig.1)
- Do not touch the unit while in use or just after use.
- Do not overheat the stove.
- Do not use for drying clothes.
- Do not use two or more stoves adjacent to each other.
- Do not use as a heater.
- Never use the stove without the pan support.
- Never use aluminum foil to line burner spillover area.
- If sand, mud, stones or other debris are present, place a piece of noncombustible matting that is larger than the stove, on the ground and place the stove on top of the matting. This is to prevent these items from entering the stove.
- Avoid direct sunlight or other heat sources that could exceed 120F.
- Never heat an empty pan.
- Do not use in windy conditions as the flame may be extinguished. Gas will continue to flow creating a hazardous condition.
- Never use the stove near flammable materials or combustible vapors.
- Do not use this stove below shelves or where there is a danger of falling objects.
- Safely store and operate the appliance where the environmental temperature will not fall below -0.4°F(-18°C).



(Fig.1)



(Fig.2)

TIPS BEFORE COOKING

CAUTION: DO NOT place a grill pan on burner without pan support. NEVER use other cooking vessel. MS-8 mini deep grill pan should be used exclusively with pan support. Before cooking, always ensure that the pan support has placed in the correct position.

SETTING UP THE STOVE

CAUTION: Use only the gas pressure regulator supplied with this appliance.

This regulator is set for an outlet pressure of 1.1psi.

NOTE: This portable gas stove shall be used with 227g (8 Oz.) MAX Model GMF-2 non-refillable fuel gas canister. Canisters must be marked to D.O.T. type 2P or 2Q containers.

If you can not locate a supplier in your area, please contact CUISINE at www.cuisinetalent.ca for location information.

Replacement parts are not available. Please return the complete unit to your seller for repair or replacement.

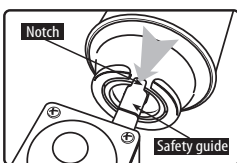
1. Always place the cooker on a horizontal stable and heat resistant surface.
2. Do not use grill plates or pans that extend over the canister compartment.
3. Make sure Lever is in the "UNLOCK" position (otherwise canister cannot be installed). (Fig.3)
4. Turn Control Knob clockwise to (●) position. (Fig.3)
5. Open the canister compartment cover.
6. To connect a gas canister, locate the notch on its collar, make sure that the notch points upwards and aligns in the value guide.
7. Push down the canister lever to "LOCK" (Fig.4)

If you hear a "hissing" noise, the canister has not been correctly fitted.

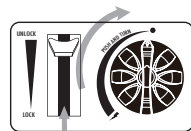
Do not attempt to ignite the appliance but move lever to the "UNLOCK" position and repeat step (4-7).

CAUTION: When replacing fuel container, be sure no external sources of ignition are present.

NOTE: Check for leaks by using soapy water, never use a flame. Bubbles indicate a leak.



(Fig.3)



(Fig.4)

Failure to follow these procedures to properly install the canister and close the door can result in a gas leak.

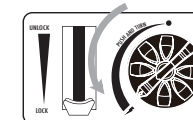
NOTE: Close the Canister Cover before lighting.

Not closing the Cover properly may cause canister to overheat.

LIGHTING THE STOVE

The stove must not be exposed to flammable vapors or liquids during lighting.

- Turn the Control Knob counter clock wise until you hear a click indicating that a spark has been produced. (Fig.5)
- If the stove does not light, turn the Control Knob back to (●) position and repeat previous step. (Fig.3)
- After three failed attempts, turn the gas supply off by turning the Control Knob clock wise to (●) position and return the Canister lever to "UNLOCK" position.
- Open canister cover, remove canister and shake to verify that it is not empty.
- **CAUTION:** When canister needs to be replaced: if stove in use, do not touch the hot stove or any items that are on stove until they have cooled.
- If empty, replace cartridge following the "Setting up the stove" section.
- Adjust flame with Control Knob to desired heat. (Fig.6)



(Fig.5)



(Fig.6)

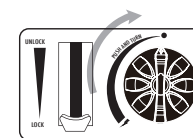
Match Light:

- Turn Control knob clockwise to (●) position. (Fig.3)
- Push down the canister lever to "LOCK" position. (Fig.4)
- Hold lighted match next to Burner and turn Control Knob counter clockwise slowly.
- Adjust flame to desired heat lever. (Fig.6)

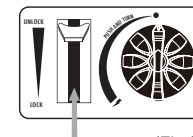
- Flame should be blue with hint of yellow tip.
- If burner does not light and Control / Ignition Knob is not completely in " ● " position, gas is escaping and could cause an accident.

TURNING OFF AND STORING THE STOVE

- Turn Control Knob clockwise to (●) position and return lever to the up position. (Fig.7 & Fig.8)
- Allow stove to cool for 10-15 minutes.
- Take unit outdoors away from any ignition sources. Remove butane cartridge.
- Store butane canister consistent with instructions and warnings on the canister.
- Use a soft cloth and clean greasy parts of the stove with soap and water or a nonabrasive detergent.
- Check Lever on stove to be sure it is in the "UNLOCK" position.
- Fuel canister must be disconnected when the stove is in storage.
- Store stove in a cool, dry and well-ventilated area, out of the reach of children.



(Fig.7)



(Fig.8)

HANDLING SAFETY DEVICE

The appliance is equipped with a safety device which stops the flow of gas if the pressure in the canister, e.g. because of overheating, becomes too high.

- Grill pan has a non-stick coating. Wipe clean with soft cloth and mild dish detergent to prolong life of nonstick coating. Do not use abrasives.

To continue usage...

- Turn the control knob to (●) position.
- Turn the canister lever to "UNLOCK" position and take the canister out.
- Place new canister after checking that the "UNLOCK" position. (If new canister is not Hand, cool down the canister in use with water.)
- The canister can only be installed when the control knob is in the OFF-position.

TROUBLE SHOOTING

Problem	Possible Solutions
No Gas Comes Out	Check if the gas canister was inserted and locked in properly. Check if the gas canister is empty. Check if the temperature is above 32F.
No Ignition	Clean the burner head with a brush. Check the igniter tip to see if it has been bent too far away from the burner cap for a spark to be produced.
Can not lock in The fuel canister	Check that the Control Knob is in the OFF position. Make sure the pan support is in the upright position. Make sure the notch on the canister is lined up with the MSR regulator guide.
You smell gas	Check with soapy water for any gas leaks where the canister and regulator meet. If there is a leak and you have inserted the canister properly, return to dealer for repair. Do not use.

CAUTION: Butane is heavier than air and will seek the lowest point in a room. Ventilate the room and do not turn on any source of ignition, such as lights or appliance until room has been well ventilated. If gas odor is strong, evacuate the building and seek professional assistance.

SPECIFICATIONS

PORTABLE BUTANE GAS STOVE			
Model Number	MS-8 mini	Fuel canister/Nt. Wt	227 Grams (8 Oz.) DOT-2P/2Q (RVR)
Type of Ignition	Piezo-Electric	Type of gas	Butane
Dimension	16.3"x11.5"x5.2"	Fuel consumption	160 g/h
Weight	8.6 lbs (3.9 kg)	Input rating	7,250 Btu/Hr

WARRANTY

This product is warranted against manufacturing and workmanship defects for a period of one (1) year from the original date of purchase. This warranty will be annulled if the appliance has been modified or if used not in accordance with this user's guide in regards to operation and safety guidelines. CUISINE TALENT ENTERPRISES LTD. it's representatives and resellers will not be responsible for damages to material, bodily harm or any accident or injury resulting from negligence or operation not in accordance with user's guide in regards to operation and safety guidelines.



FOUR À GAZ PORTABLE AVEC L'ASSIETTE DE FOUR PROFONDE

USAGE EXTÉRIEUR COMME CUISINIÈRE DE CAMPING.

NON PAS POUR USAGE DOMESTIQUE.

CSA/ANSI Z21.72 • CSA 11.2 (2019) Cuisinière de camping

Approuvé par CSA



Manuel d'instructions

- Avant d'utiliser le présent produit, veuillez lire et respecter toutes les instructions et tous les avertissements précisés dans le présent manuel. Conservez ces instructions pour une consultation future.

⚠ DANGER

RISQUE DU MONOXYDE DE CARBONE

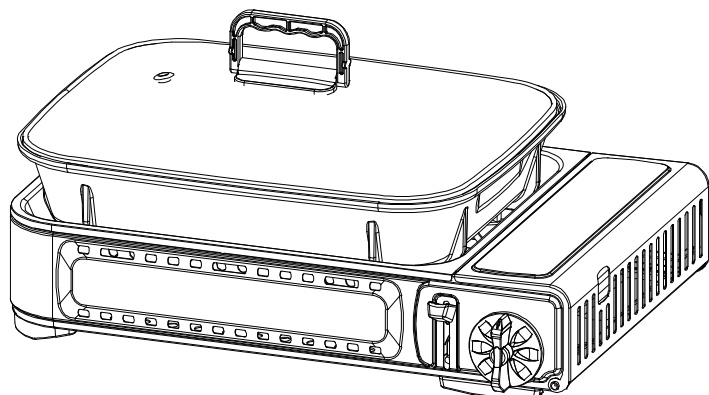


Cet appareil peut dégager le monoxyde de carbone qui n'a pas d'odeur.

L'utilisation dans un espace clos peut vous tuer.

N'utilisez jamais cet appareil dans les espaces clos tels que le camping-car, la tente, la voiture, et chez vous, etc.

Modèle MS-8 mini



⚠ AVERTISSEMENT

LE TROU D'AIR AU BAS DE L'APPAREIL FOURNIT DE L'AIR POUR LA COMBUSTION, VEUILLEZ NE PAS BLOQUER CE TROU D'AIR. S'IL Y A UN FEU ROUGE EVIDENT, VEUILLEZ VERIFIER SI LE TROU D'AIR EST BLOQUE. SI L'APPAREIL TOMBE EN PANNE, VEUILLEZ NE PAS L'UTILISER ET LE REPARER A TEMPS.

AVERTISSEMENT: une installation, une utilisation, un réglage, une modification, une réparation ou un entretien incorrects peuvent entraîner des blessures humaines ou des dommages matériels.

Veillez vous référer au présent manuel. Pour l'aide ou plus d'informations, veuillez consulter un installateur qualifié, une agence de service ou un fournisseur de gaz.

IMPORTÉ POUR: CUISINE TALENT ENTERPRISES LTD.

⚠ AVERTISSEMENT

RISQUE D'INCENDIE OU D'EXPLOSION

Si vous sentez du gaz :

- N'essayez pas d'allumer l'appareil.
- Assurez-vous que le marquage de l'appareil est en position de fermeture.
- Éteignez toute flamme à proximité.
- Fermez la vanne d'alimentation de carburant de la bonbonne si l'appareil en est équipé, ou bien si l'appareil est équipé de bonbonne de carburant jetable, débranchez-la.
- Quittez la zone immédiatement.
- Laissez le gaz se dissiper pour 5 minutes.
- Si l'odeur de gaz s'est dissipée de la zone, de l'appareil et de l'alimentation de carburant, veuillez respecter les procédures de raccordement au gaz.
- Si vous ressentez du gaz, veuillez faire fonctionner l'appareil conformément aux étapes 1 à 6.

Le non-respect de ces instructions pourrait conduire l'incendie ou l'explosion, ce qui peut causer les dommages de bien, les blessures humaines ou même la mort.

POUR VOTRE SÉCURITÉ

Ne stockez pas et n'utilisez pas d'essence ou d'autres liquides contenant des vapeurs inflammables à proximité de cet appareil ou de tout autre appareil. Ce four est uniquement compatible avec le carburant au gaz butane. N'utilisez pas ce four à une température inférieure au point de congélation (32 degrés Fahrenheit).

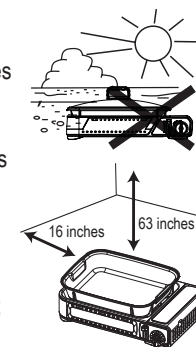
DANGER

Le non-respect des précautions et des instructions fournies avec ces cuisinières peut entraîner la mort, les blessures graves et les dommages de bien, ou les dommages ou détériorations de bien à cause de l'incendie, de l'explosion, de la brûlure, de l'asphyxie et / ou de l'intoxication au monoxyde de carbone. Seulement ceux qui peuvent comprendre et respecter les instructions peuvent utiliser ou réparer la présente cuisinière. Si vous avez besoin d'aide, ou des informations telles que le manuel d'instructions et les étiquettes, etc., veuillez contacter votre vendeur.

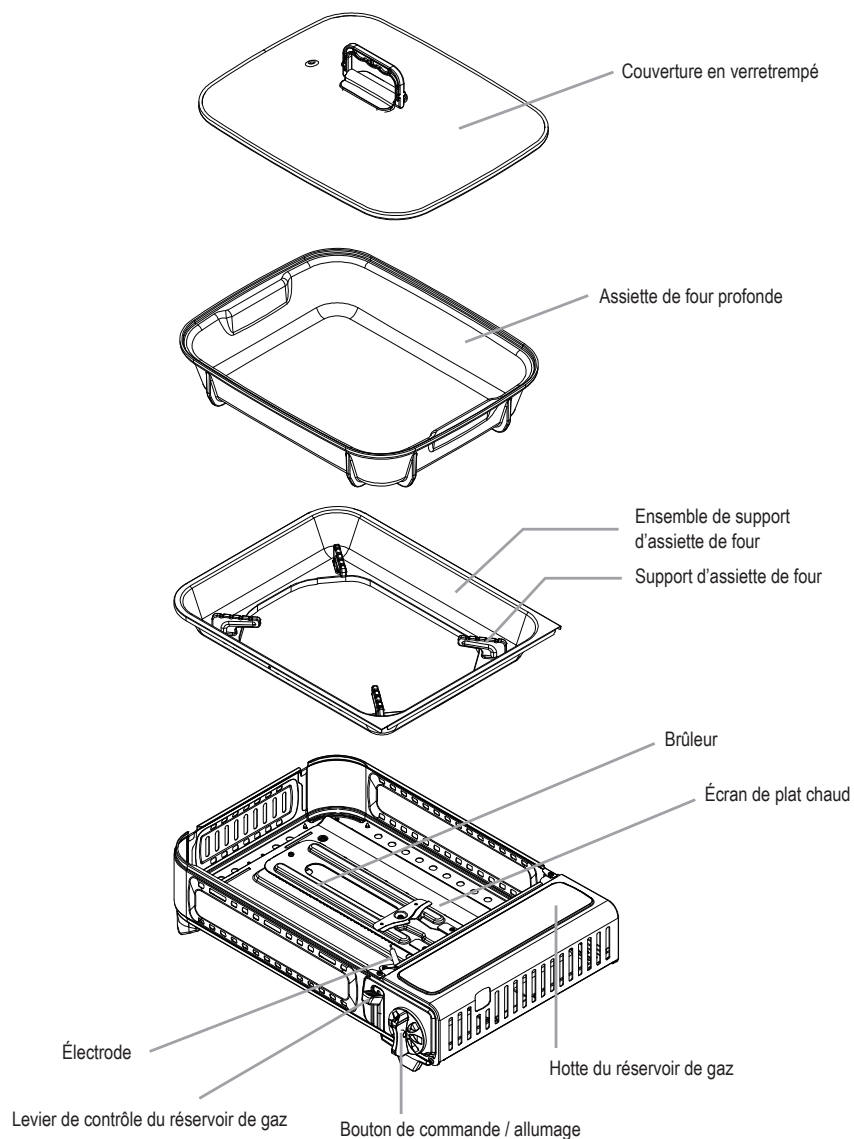
• RISQUE D'EXPLOSION – D'INCENDIE

- NE stockez JAMAIS le butane aux endroits qui ont une haute température, des flammes nues, des voyants, de la lumière directe, et d'autres sources de flamme ou une température supérieure à 120 degrés F (49°C).
- NE montez ou démontez JAMAIS la bonbonne de butane à proximité de la flamme, des voyants et d'autres source de flamme lorsque la cuisinière extérieure est allumée, ou lorsque la cuisinière extérieure est chaude au toucher.
- Pendant l'opération, le présent produit peut être une source d'inflammation. N'utilisez JAMAIS la cuisinière dans les espaces où il y a ou il y aurait des combustibles ou produits volatils ou en suspension dans l'air tels que la gazoline, les solvants, le diluant pour peinture, les particules de poussière ou les produits chimiques inconnus.
- Distance minimale par rapport aux matériaux combustibles : 16 pouces des côtés et 63 pouces du haut.
- Laissez une distance suffisante autour des ouvertures d'air dans la chambre de combustion.

- La bonbonne de butane doit être stockée à l'extérieur, dans un endroit bien aéré, hors de la portée des enfants, et ne doit pas être stockée dans un bâtiment, un garage, ou tout autre endroit clos.



NOM DE LA PIÈCE



• AVERTISSEMENT DE RISQUE DE MONOXYDE DE CARBONE ET D'OXYGENE

CALIFORNIE PROPOSITION 65 :

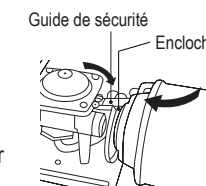
AVERTISSEMENT Cet appareil et d'autres appareils de combustion produisent du monoxyde de carbone lorsqu'ils fonctionnent. Le monoxyde de carbone a été certifié par l'État de Californie comme un produit chimique qui cause le cancer, des anomalies congénitales ou d'autres problèmes de reproduction.

AVERTISSEMENT: Assurez-vous une ventilation suffisante lors de l'utilisation du présent appareil. L'appareil consomme de l'oxygène. Pour éviter de mettre en danger votre vie, veuillez ne pas utiliser cet appareil dans les structures à mauvaise ventilation. Assurez une ventilation supplémentaire à tout produit brûlant supplémentaire ou occupant supplémentaire.

Ne connectez pas à une alimentation de gaz à distance.

PRECAUTIONS POUR L'UTILISATION DU CARBURANT

Les bonbonnes de butane qui sont utilisées dans nos produits ne sont conçues que pour l'évacuation de la vapeur, ce qui se fait en alignant l'encoche dans le collier de la bonbonne avec la barre d'extension sur le régulateur. Ils doivent être assemblés ensemble, sinon la bonbonne ne se verrouillera pas en bonne place. La vanne à l'intérieur de la bonbonne a une forme similaire à «L» latéral, donc lorsque l'encoche est alignée et verrouillée correctement, le «L» oriente toujours vers le haut pour évacuer uniquement la vapeur de la bonbonne.



- Au maximum 48 bonbonnes de gaz propane doivent être stockés dans un bâtiment.
- La bonbonne de carburant butane doit être conforme aux exigences DOT 2P ou 2Q et doit être listée dans la Norme pour les conteneurs métalliques de type non rechargeable (jetable). Assemblages pour butane, UL 147B.
- Évitez tout choc violent ou impact sur la bonbonne de carburant. Gardez les bonbonnes en position verticale pour le stockage.



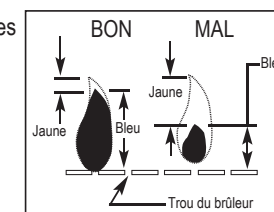
Retirez la bonbonne de la cuisinière avant le stockage.

- Ne jetez pas la bonbonne de gaz vide au feu, sinon il y aura un risque d'explosion.
- Le butane ne peut être configuré que comme vapeur évacuable.
- Ne bloquez pas la circulation de l'air de combustion et de ventilation.



MAINTENANCE ET PRÉCAUTIONS

- Lorsque le four est chaud ou que l'équipement est utilisé, ne le faites pas sans surveillance.
 - L'assiette de four a un revêtement antiadhésif. Utilisez un chiffon doux et un détergent doux pour nettoyer et prolonger la durée de vie du revêtement antiadhésif. N'utilisez pas de matière rugueuse pour essuyer.
 - Placez toujours le produit dans un endroit où les enfants ne sont pas accessibles.
 - Il ne devrait y avoir aucun matériau combustible, essence ou autre vapeur combustible et liquide à l'emplacement de l'équipement.
 - Ne bloquez pas la ventilation autour de l'équipement et le flux d'air de combustion.
 - Ne modifiez pas l'équipement.
 - Utilisez un chiffon doux, du savon et de l'eau pour nettoyer les parties huileuses de l'équipement.
 - Gardez l'allumeur et l'espace du brûleur propres et sans matière étrangère, afin d'assurer un allumage facile.
 - Lorsque cela est nécessaire, nettoyez souvent l'équipement pour éviter l'accumulation d'huile.
 - La flamme du brûleur doit être bleue et la pointe de la flamme est jaune.
 - La flamme normale doit être bleue, la pointe de la flamme est jaune.
- Tant qu'il n'y a pas de dépôt de carbone ou de suie, une pointe de flamme jaune est normale.



INFORMATION ET STOCKAGE DU BUTANE

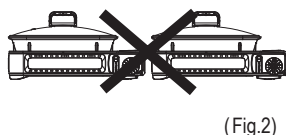
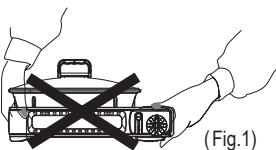
Il a été certifié pour une utilisation extérieure comme cuisinière de camping. Les règles de stockage pour les bonbonnes ne sont pas les mêmes pour chaque utilisation.

Seuls les bonbonnes de gaz portant l'approbation du type de combustible pour l'appareil doivent être utilisées. Dans une maison ou une résidence, la bonbonne doit être retirée de la cuisinière et elle doit être stockée à l'extérieur dans un endroit bien ventilé, hors de la portée des enfants. Il faut ne pas les stocker dans un bâtiment, un garage ou tout autre espace clos.

La cuisinière peut être stockée à l'intérieur mais seulement si la bonbonne est retirée. Lorsque la cuisinière n'est pas utilisée ou est stockée, retirez toujours la bonbonne.

SAFETY PRECAUTIONS

- Ne transporter pas l'équipement après l'allumage. (Fig.1)
- Ne touchez pas l'équipement lors de l'utilisation ou juste après l'utilisation.
- Ne surchauffez pas le four.
- N'utilisez pas l'équipement pour sécher les vêtements.
- N'utilisez pas deux ou plus d'équipements proches les uns des autres. (Fig. 2)
- N'utilisez pas l'équipement comme chauffage.
- N'utilisez pas l'équipement en l'absence d'un support de l'assiette de four.
- N'utilisez pas de papier d'aluminium pour couvrir la zone de déversement du brûleur.
- S'il y a du sable, de la saleté, des pierres ou d'autres épaves, placez un grand bouchon incombustible autour du four et placez le four sur le bouchon, ce qui empêche les matières étrangères d'entrer dans le four.
- Évitez la lumière directe du soleil ou d'autres sources de chaleur au-dessus de 120 ° Fahrenheit.
- Ne chauffez pas l'assiette vide.
- N'utilisez pas l'équipement dans un environnement venteux parce que la flamme peut être éteinte et que le gaz continuera à s'écouler et créera un danger.
- N'utilisez pas l'équipement près de matériaux combustibles ou de vapeur.
- N'utilisez pas l'équipement sur une étagère ou un endroit risqué de chute d'objets.
- Entrez et utilisez l'appareil en toute sécurité à un endroit où la température ambiante ne descendra pas en dessous de -18°C (-0.4°F).



CONSEILS DE CUISINE

REMARQUE: Ne placez pas l'assiette sur le brûleur en l'absence de support. N'utilisez pas d'autres récipients pour cuisson.

L'assiette de four profonde MS-8 mini ne doit être utilisée qu'avec un support d'assiette de four. Avant de cuisiner, assurez-vous toujours que le support est dans la bonne position.

INSTALLATION DE LA CUISINIÈRE

ATTENTION: Utilisez uniquement le régulateur de pression de gaz fourni avec cet appareil. Ce régulateur est réglé pour une pression extérieure de 1,1 psi.

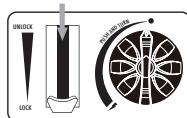
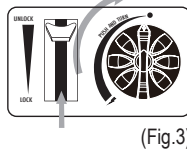
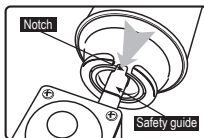
REMARQUE: Cette cuisinière à gaz portable doit être utilisée avec une bonbonne de gaz combustible non réutilisable MAX de modèle GMF-1 de 227 g (8 Oz.) dont la longueur du cylindre est de 178,8 mm ± 0,3 et le diamètre du cylindre est de 68,4 mm ± 0,2. Les bonbonnes doivent être marquées de contenants DOT de type 2P ou 2Q.

Si vous ne trouvez pas de fournisseur dans votre région, veuillez contacter CUISINE sur www.cuisinentalent.ca pour obtenir des informations.

Les pièces de rechange ne sont pas disponibles. Veuillez renvoyer l'appareil complet à votre vendeur pour la réparation ou le remplacement.

La fréquence d'entretien recommandée est d'une fois par an.

1. Placez toujours la cuisinière sur une surface horizontale stable et résistante à la chaleur.
2. N'utilisez pas de plaques de grille ou de casseroles qui dépassent du compartiment de la bonbonne.
3. Assurez-vous que le levier de la bonbonne est en position "UNLOCK" (sinon la bonbonne ne peut pas être installée). (Fig.3)
4. Tournez le bouton de commande au sens horaire à la position (●). (Fig.3)
5. Ouvrez le couvercle du compartiment de la bonbonne.
6. Lors d'installer le réservoir de gaz, assurez-vous que l'encoche sur le col du réservoir est dans la bonne position, de sorte que l'encoche soit tournée vers le haut et alignée avec le tuyau.
7. Abaissez le levier de la bonbonne sur "LOCK". (Fig.4)



Une mauvaise installation du réservoir de gaz provoquera des fuites d'air et fera un "sifflement". (Fig.4)
N'essayez pas de démarrer l'appareil par l'allumage, veuillez déplacer le levier en position "DEVERROUILLE", puis répétez les étapes (4-7).

ATTENTION: lors du remplacement de la bonbonne de carburant, assurez-vous qu'aucune source externe de flamme sont présents.

REMARQUE: Vérifiez les fuites avec de l'eau savonneuse, des bulles apparaissent pour indiquer la fuite. N'utilisez jamais de flamme.

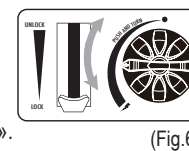
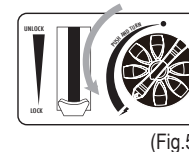
Le non-respect de ces procédures pour correctement installer la bonbonne et la fermeture de la porte peuvent entraîner une fuite de gaz.

REMARQUE: fermez le couvercle de la bonbonne avant l'allumage. Une mauvaise fermeture du couvercle peut entraîner une surchauffe de la bonbonne.

ALLUMER LA CUISINIÈRE

La cuisinière ne doit pas être exposée à des vapeurs ou des liquides inflammables pendant son allumage.

- Tournez le bouton de commande au sens antihoraire jusqu'à ce que vous entendiez un clic indiquant qu'une étincelle s'est produite. (Fig.5)
- Si la cuisinière ne s'allume pas, retournez le bouton de commande à la position (●) et répétez l'étape précédente. (Fig.3)
- Après trois tentatives échouées, coupez l'alimentation de gaz en tournant le bouton de commande au sens horaire à la position (●) et remettez le levier de la bonbonne en position «UNLOCK».
- Ouvrez la porte, retirez la bonbonne et secouez-la pour vérifier qu'elle n'est pas vide.
- **ATTENTION:** lorsque la bonbonne doit être remplacée: si la cuisinière est en cours d'utilisation, ne touchez pas la cuisinière chaude ou tout autre élément qui est sur la cuisinière jusqu'à leur refroidissement.
- Si la bonbonne est vide, remplacez-la en suivant la section «Installation de la cuisinière».
- Réglez la flamme avec le bouton de commande à la chaleur souhaitée. (Fig.6)



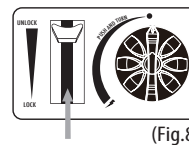
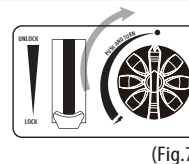
Allumage par la mèche:

- Tournez le bouton de commande au sens horaire à la position (●). (Fig.3)
- Abaissez le levier de la bonbonne en position "LOCK". (Fig.4)
- Prenez la mèche allumée à côté du brûleur et tournez lentement le bouton de commande au sens antihoraire.
- Réglez la flamme à la chaleur souhaitée. (Fig.6)

- La flamme doit être bleue avec une pointe jaune.
- Si le brûleur ne s'allume pas et que le bouton de commande / d'allumage n'est pas complètement en position «●», le gaz s'échappe et peut provoquer un accident.

EXTINCTION ET STOCKAGE DE LA CUISINIÈRE

- Tournez le bouton de commande au sens horaire à la position (●) et remettez le levier à la position haute. (Fig.7 et Fig.8)
- Laissez la cuisinière refroidir pour 10 à 15 minutes.
- Gardez l'appareil à l'extérieur loin de toute source de flamme. Retirez la bonbonne de butane.
- Conservez la bonbonne de butane conformément aux instructions et aux avertissements sur la bonbonne.
- Utilisez un chiffon doux pour nettoyer les parties grasses de la cuisinière à l'aide du savon et de l'eau ou d'un détergent non abrasif.
- Vérifiez le levier de la bonbonne sur la cuisinière pour vous assurer qu'il est en position "UNLOCK".
- La bonbonne de carburant doit être débranchée lorsque la cuisinière est stockée.
- Stockez la cuisinière dans un endroit frais, sec et bien ventilé, hors de la portée des enfants.



MANIPULATION DU DISPOSITIF DE SÉCURITÉ

L'appareil est équipé d'un dispositif de sécurité qui arrête le débit de gaz si la pression dans la bonbonne, par ex. en raison d'une surchauffe, devient trop élevée.

Pour continuer l'utilisation ...

- Tournez le bouton de commande à la position (●).
- Tournez le levier de la bonbonne à la position «UNLOCK» et retirez la bonbonne.
- Placez une nouvelle bonbonne après avoir vérifié la position "UNLOCK". (Si la nouvelle bonbonne est chaude, refroidissez la bonbonne en utilisation avec de l'eau.)
- La bonbonne ne peut être installée que lorsque le bouton de commande est en position OFF.

DÉPANNAGE

Problème	Solutions possibles
Pas de gaz qui sort	Vérifiez si la bonbonne de gaz a été insérée et verrouillée de manière correcte. Vérifiez si la bonbonne de gaz est vide. Vérifiez si la température est supérieure à 32F.
Pas d'allumage	Nettoyez la tête de brûleur avec une brosse. Vérifiez la pointe de l'allumeur pour voir si elle a été pliée trop loin du chapeau de brûleur pour produire une étincelle.
Impossible de verrouiller la bonbonne de carburant	Vérifiez que le bouton de commande est en position OFF. Assurez-vous que le support de casserole est en position verticale. Assurez-vous que l'encoche de la bonbonne s'aligne avec le guide de régulateur MSR.
Vous sentez du gaz	Vérifiez à l'aide de l'eau savonneuse s'il y a une fuite de gaz à la croisée entre la bonbonne et le régulateur. S'il y en a une et que vous avez correctement inséré la bonbonne, veuillez renvoyer l'appareil au revendeur pour la réparation. Ne l'utilisez pas.

ATTENTION : Le butane est plus lourd que l'air et descendra au point le plus bas de la salle. Aérez la salle et n'allumez aucune source de flamme telles que la lampe et l'appareil électrique, etc., que lorsque la salle est bien ventilée. S'il y a une forte odeur de gaz, veuillez évacuer le bâtiment et demander l'aide d'un professionnel.

SPECIFICATIONS

CUISINIÈRE À GAZ BUTANE PORTABLE			
No. de modèle	MS-8 mini	Bonbonne de carburant /Nt. Wt	227 Grams (8 Oz.) DOT-2P/2Q (RVR)
Type d'allumage	Piezo-Electric	Type de gaz	Butane
Dimensions	16.3"x11.5"x5.2"	Consommation de carburant	160 g/h
Poids	8.6 lbs (3.9 kg)	Classe d'entrée	7.250 Btu/Hr

GARANTIE

Le présent produit est garanti contre les défauts de fabrication et de technologie pendant une période d'un (1) an à partir de la date d'achat d'origine. Cette garantie sera annulée si l'appareil a été modifié ou s'il n'est pas utilisé conformément aux règlements d'opération et de sécurité précisés dans le guide de l'utilisateur. CUISINE TALENT ENTERPRISES LTD. ses représentants et revendeurs ne seront pas responsables des dommages matériels, des blessures corporelles ou de tout accident ou blessure à cause d'une négligence ou d'une opération non conforme aux règlements d'opération et de sécurité du guide de l'utilisateur.